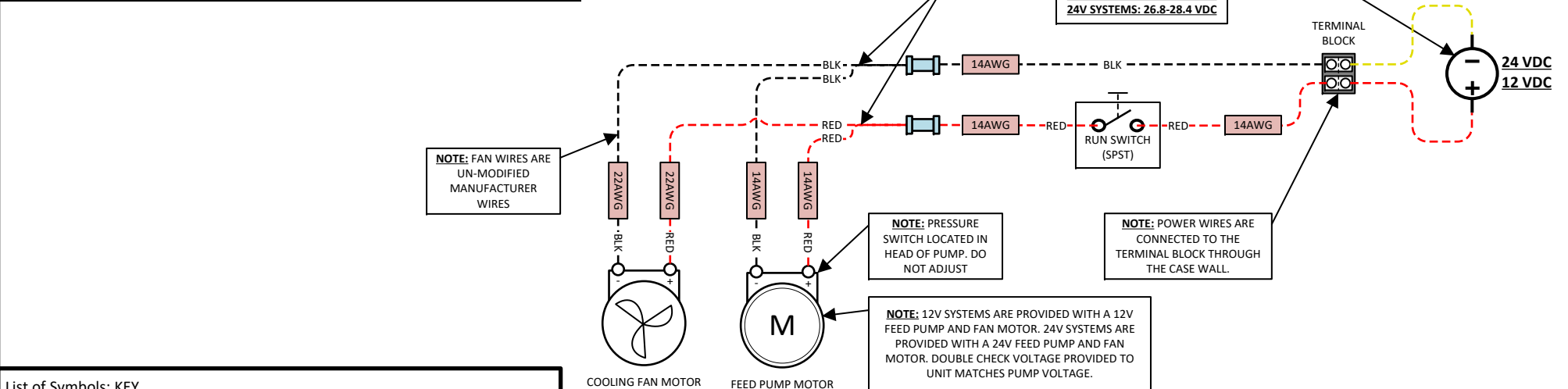
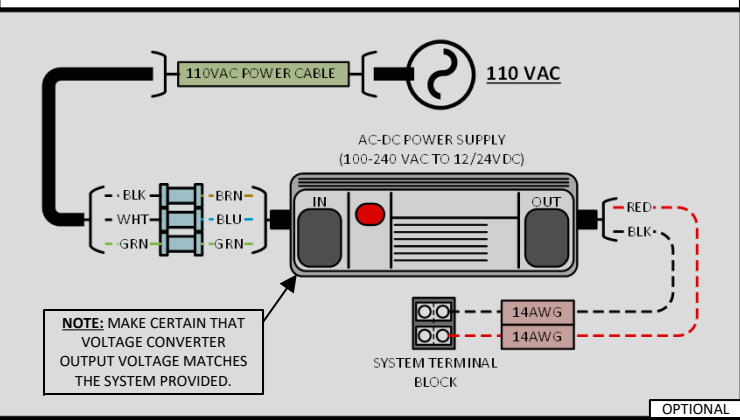


Detail View 1: 110 VAC Power Kit Wiring (optional)



List of Symbols: KEY

BLK	WIRE COLOR LABEL – INDICATES A BLACK WIRE
RED	WIRE COLOR LABEL – INDICATES A RED WIRE
YEL	WIRE COLOR LABEL – INDICATES A YELLOW WIRE
	WIRE GAUGE LABEL – INDICATES A GAUGE FOR A CABLE OF MULTIPLE WIRES, FORMATED AS (WIRE GAUGE)-(NUMBER OF WIRES IN CABLE)
	WIRE GAUGE LABEL – INDICATES A GAUGE FOR A SINGLE WIRE
	FUSE – NECESSARY SIZING INFORMATION CALLED OUT ON WIRING DIAGRAM
	CONNECTION – BLUE HEAT SHRINK – BUTT CONNECTOR
---	WIRING – SINGLE WIRE BLACK OR WHITE – TYPICAL COMM COLOR
---	WIRING – SINGLE WIRE RED – TYPICAL ENERGIZED COLOR
---	WIRING – SINGLE WIRE YELLOW – TYPICAL NEUTRAL COLOR
	NOTATION – WIRE CONTINUITY SYMBOL INDICATES CONTINUITY BETWEEN MATCHING ALPHABETIC SYMBOLS – LARGE ALPHABETIC CIRCLE

Control System:
• Manual System
• 12/24VDC Input Voltage
Applicable System Numbers:
• AF-200-12V
• AF-200-24V

Revision History: AF-200-12/24VDC		
Rev No:	Date:	Description:
A	05/04/2023	Initial Wiring Diagram for Aquifer 200 DC Systems, 12/24VDC

Aquifer-200-12/24VDC
Revision: A
Rev Date: 05/04/2023
Print Date: 05/04/2023
Drawn by: LSS
Katadyn Desalination